

PRECAUTIONS

- Before making holes, check the mounting space with supplied template.
- To prevent noise pick-up, keep the wiring away from motors, highvoltage leads and other potential noise sources.
- To prevent a short-circuit, keep all wiring away from moving parts and sharp edges.
- Make sure you carefully read and understand the installation instructions before installing this subwoofer in your vehicle.

STEG

SQW-6

**SUBWOOFER SPEAKER SYSTEM
OWNER'S MANUAL**

Thank you for purchasing a **STEG** Subwoofer Speaker. It is a state-of-the-art product specifically designed and engineered for vehicle use, and has been thoroughly tested to ensure consistent and reliable performance.

Should you have any questions regarding the installation or operation of your **STEG** Subwoofer Speaker, which are not answered in this manual, please contact your dealer for assistance.

FEATURES

6" Subwoofer Speaker

Rms.Power: 200W

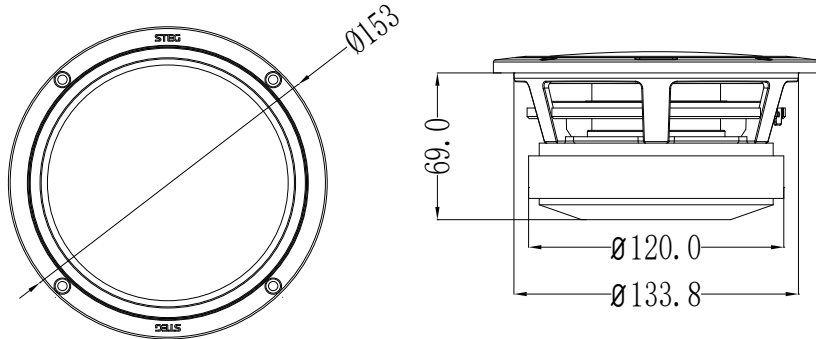
Aluminum alloy bracket

Rubberhoneycomb aluminum material Cone

2 ohm 2.4" Aluminum Voice Coil

25.3Oz Magnet Structure

Diameter	
External diameter	153 mm 6.0 inch
Installation diameter	135 mm 5.3 inch
Installation depth	75 mm 3.0 inch
Magnet diameter	120 mm 4.7 inch



Speaker Specifications

Electrical Parameters

Re	1.88	Ohm
Le	0.238	mH
L2	0.545	mH
R2	4.60	Ohm
Cmes	1856.08	μ F
Lces	8.76	mH
Res	9.23	Ohm
fs	39.5	Hz

Mechanical Parameters (using laser)

Mms	50.795g
Mmd (Sd)	49.629g
Rms	2.966 kg/s
Cms	0.320 mm/N
Kms	3.12 N/mm
Bl	5.231 N/A
Lambda s	0.029

Loss factors

Qtp	0.720
Qms	4.247
Qes	0.865
Qts	0.719

Other Parameters

Vas	4.7199
n0	0.032
Lm	77.1 dB
Lnom	77.37 dB

rmse Z	4.73 %
rmse Hx	3.34 %

Series resistor	0Ohm
Sd	102.07cm ²