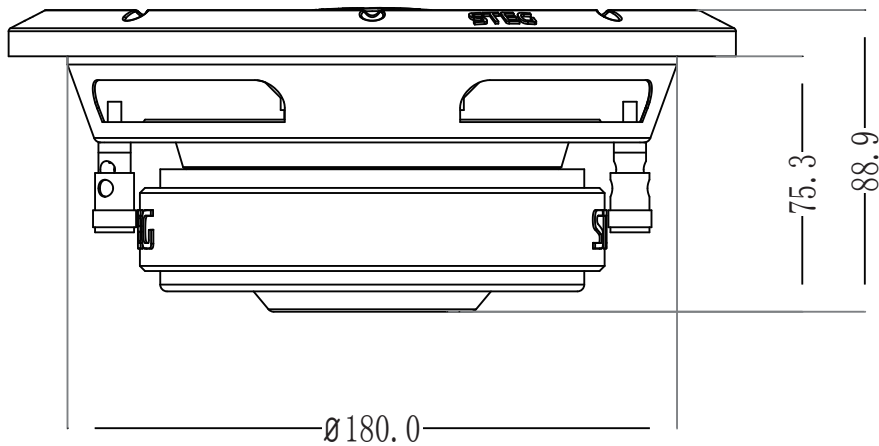


STEG

SQ8-2SE

SQ8-4SE



SUBWOOFER SPEAKER SYSTEM
OWNER'S MANUAL

Thank you for purchasing a **STEG** Subwoofer Speaker. It is a state-of-the-art product specifically designed and engineered for vehicle use, and has been thoroughly tested to ensure consistent and reliable performance.

Should you have any questions regarding the installation or operation of your **STEG** Subwoofer Speaker, which are not answered in this manual, please contact your dealer for assistance.

FEATURES

SQ8-2SE

8" Subwoofer Speaker

RMS / MAX Power: 300W / 600W

Rubber Surround Composite Cone

2 ohm 2" TIL Voice Coil

PVC Gasket Ring

Sensitivity : 83dB

SQ8-4SE

8" Subwoofer Speaker

RMS / MAX Power: 300W / 600W

Rubber Surround Composite Cone

4 ohm 2" TIL Voice Coil

PVC Gasket Ring

Sensitivity : 83dB

PRECAUTIONS

- Before making holes, check the mounting space with supplied template.
- To prevent noise pick-up, keep the wiring away from motors, highvoltage leads and other potential noise sources.
- To prevent a short-circuit, keep all wiring away from moving parts and sharp edges.
- Make sure you carefully read and understand the installation instructions before installing this subwoofer speaker in your vehicle.

SPECIFICATIONS	SQ8-2SE	SQ8-4SE
Rms.Power (W)	300	300
Fo (Hz)	35	38
Nominal Impedance (Ω)	2+2	4+4
Sensitivity@1w/1m (dB)	83	83
Frequency Range	35Hz~500Hz	38Hz~500Hz
Magnet	40 Oz	40 Oz
Voice Coil	2"	2"
Cone	Rubber Surround Composite	Rubber Surround Composite
Mounting Depth (mm)	80	80
Mounting Diameter (mm)	182	182