

# STEG

SFF 1

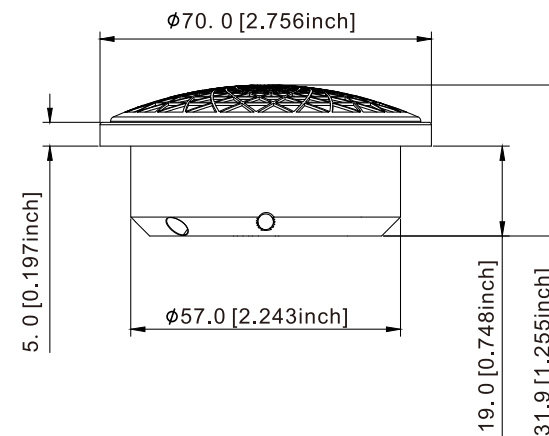
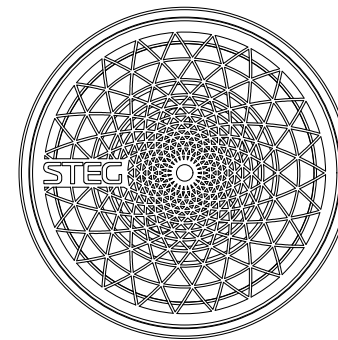
ULTRA ATMOS SOUND SPEAKER  
OWNER'S MANUAL

Thank you for purchasing a STEG Atmos sound speaker. It is a state-of-the-art product specifically designed and engineered for vehicle use, and has been thoroughly tested to ensure consistent and reliable performance.

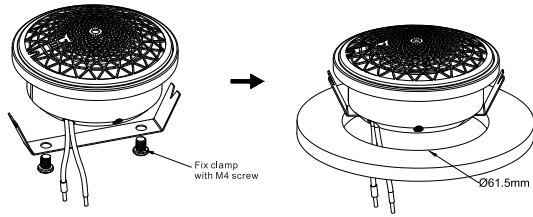
Should you have any questions regarding the installation or operation of your STEG speaker, which are not answered in this manual, please contact your dealer for assistance.

## FEATURES

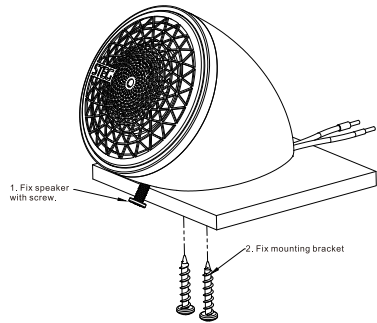
- 1.8" Atmos sound speaker
- Multi-choice installation methods
- Aluminum CNC processing pannel
- Low frequency down to 165Hz
- Powerful NEO magnet structure



### Installation 1:



### Installation 2:



## Speaker Specifications

### Electrical Parameters

DCR Impedance	3.0	Ohm
Nominal Impedance	4.0	Ohm
Sensitivity	83	dB
Fs	165	Hz
Frequency up to	15K	Hz

Panel Material	Aluminum
Diaphragm Material	Aluminum Foil

### Diameter

External diameter	Ø70mm/7.76inch
Installation diameter	Ø58mm/2.28inch
Installation depth	21mm/0.83inch

## PRECAUTIONS

Before making holes, check the mounting space with supplied template.

To prevent noise pick-up, keep the wiring away from motors, highvoltage leads and other potential noise sources.

To prevent a short-circuit, keep all wiring away from moving parts and sharp edges.

Make sure you carefully read and understand the installation instructions before installing this speaker in your vehicle.

## Packing List

- SFF 1 speaker x 2
- Mounting bracket x 2
- Fixing clamp x 2
- Screws bag x 1
- Owner's manual x 1
- Mounting plate x 1