

## **PRECAUTIONS**

- Before making holes, check the mounting space with supplied template.
- To prevent noise pick-up, keep the wiring away from motors, highvoltage leads and other potential noise sources.
- To prevent a short-circuit, keep all wiring away from moving parts and sharp edges.
- Make sure you carefully read and understand the installation instructions before installing this subwoofer in your vehicle.

# **awave**

## **A8S**

**SUBWOOFER SPEAKER SYSTEM  
OWNER'S MANUAL**

---

Thank you for purchasing a **awave** Subwoofer Speaker. It is a state-of-the-art product specifically designed and engineered for vehicle use, and has been thoroughly tested to ensure consistent and reliable performance.

Should you have any questions regarding the installation or operation of your **awave** Subwoofer Speaker, which are not answered in this manual, please contact your dealer for assistance.

## FEATURES

8" Subwoofer Speaker

Rms.Power: 150W

Stamped steel bracket

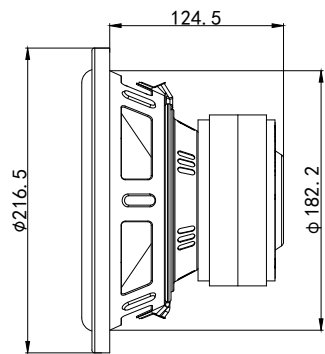
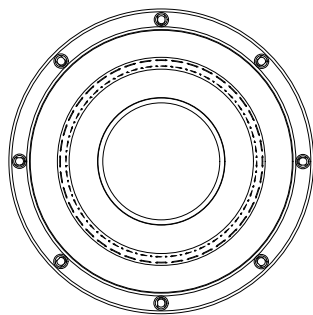
Special non-pressed paper cone with rubber edge

2 ohm 2" Aluminum Voice Coil

58.5 Oz Magnet Structure

### Diameter

External diameter	216.5mm/8,5inch
Installation diameter	183 mm 7,2 inch
Installation depth	126 mm 5,0 inch
Magnet diameter	120 mm 4,7 inch



## Speaker Specifications

### Electrical Parameters

Re	1.90	Ohm
Le	0.749	mH
L2	1.166	mH
R2	4.93	Ohm
Cmes	1701.46	$\mu$ F
Lces	5.89	mH
Res	14.69	Ohm
fs	45	Hz

### Mechanical Parameters (using laser)

Mms	91.9	g
Mmd (Sd)	87.3	g
Rms	3.679	kg/s
Cms	0.109	mm/N
Kms	9.18	N/mm
Bl	7.351	N/A
Lambda s	0.06	

### Loss factors

Qtp	0.925
Qms	7.897
Qes	1.032
Qts	0.913

### Other Parameters

Vas	9.9839 l
n0	0.118 %
Lm	82.93 dB
Lnom	83.1 dB

rmse Z	4.28 %
rmse Hx	2.79 %

Series resistor	0	Ohm
Sd	254.47	cm <sup>2</sup>